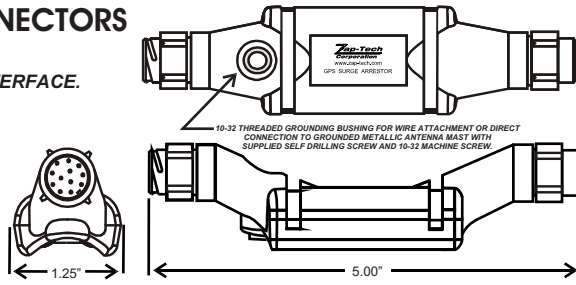


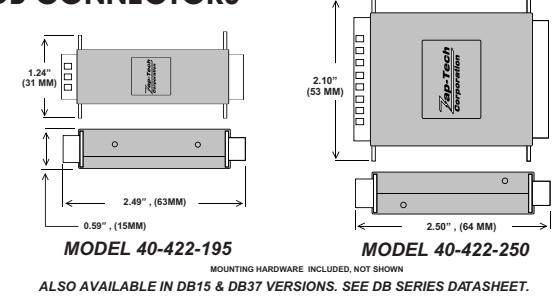
GPS SERIES SURGE PROTECTORS

12 POSITION CONNECTORS

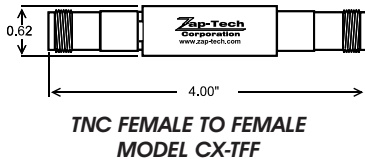
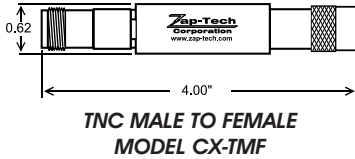
PROTECTION FOR ACUTIME GPS ANTENNA INTERFACE.
MODEL 40-422-001



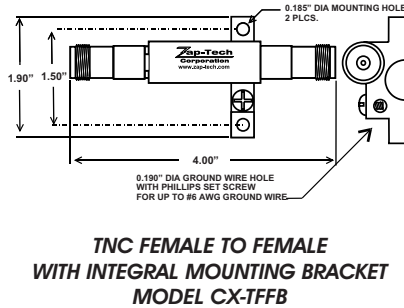
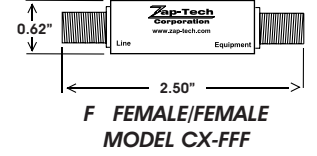
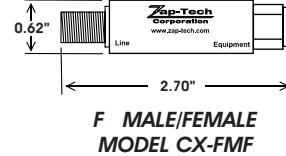
DB CONNECTORS



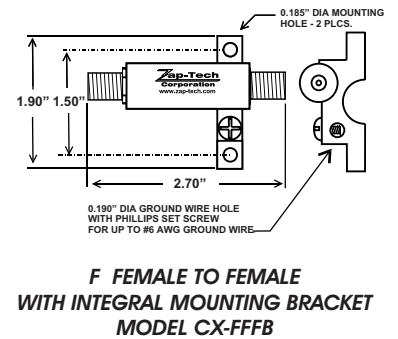
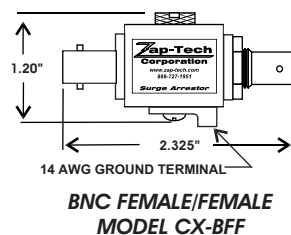
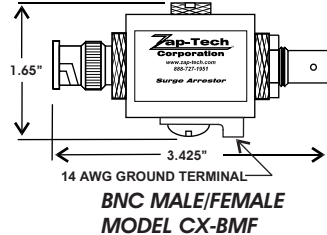
TNC CONNECTORS



F CONNECTORS



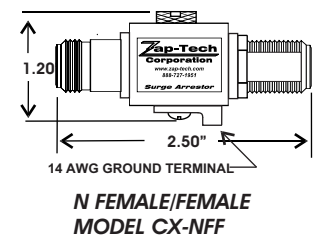
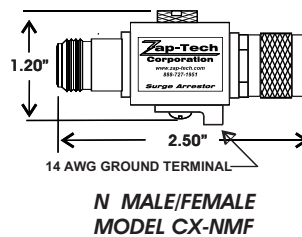
BNC CONNECTORS



GPS PROTECTOR TO ANTENNA SELECTION

ANTENNA	CONNECTOR TYPE	ANTENNA OR SYNC END	PROTECTOR MODEL
ACUTIME	12 POS CIRCULAR	ANTENNA END	40-422-001
	DB25	TRIMBLE SYNC END	40-422-250
	DB9	EVERTZ 5600 SERIES	40-422-095
ACUTIME	DB15	ZETRON 600 SERIES	40-422-153
	DB15	SYMTRICOM AIRSPAN	40-422-156
BULLET TNC	TNC (FEMALE/FEMALE) TNC (MALE/FEMALE)	BOTH ENDS	CX-TFF CX-TMF
BULLET F	F (FEMALE/FEMALE) F (MALE/FEMALE)	BOTH ENDS	CX-FFF CX-FMF
N TYPE	N (FEMALE/FEMALE) N (MALE/FEMALE)	BOTH ENDS	CX-NFF CX-NMF

N CONNECTORS



Custom protection is our specialty. Custom versions are available including mixed or special clamp voltages, different connectors, over current or impedance options. Contact us for details.

ELECTRICAL SPECIFICATIONS

(Specifications below apply to P/N 40-422-001, and other 40-422-XXX series devices only. For Coaxial devices, see CX series Datasheet).

MAXIMUM REPETITIVE SELF RESET SURGE (all lines common mode):
3500 V, 1750 A for 100 pulses using 2 Ohm source. per: EN61000-4-5 Spec.

MAXIMUM FAIL SAFE SURGE (all lines common mode):
6000 Volts 3000 Amps for 100 pulses using 2 Ohm source. per EN61000-4-5 Specification. Exceeds EN6100-4-5, level 4.

CLAMPING VOLTAGES:
7.5 Volts, 18 Volts, 36 Volts.
Common Mode - (Line to Line) and Differential Mode - (Line to Ground).

CAPACITANCE:
Line/Line: <40pF, Line/Ground: <40pF.

COMPONENT RESPONSE TIME:
Less than 10 Nanoseconds.

OPERATING ENVIRONMENT:
(-40C TO +85C) Max Continuous Power Limit: 3 Watts.

INSTALLATION:

Zap-Tech protectors should be installed in series with the incoming communication line at the port of the equipment being protected. The protector's grounding wire must be connected to the chassis ground of the protected equipment **IMPORTANT!**

It is important that the protector and the chassis of the equipment to be protected are both properly grounded to a properly earthed electrical safety ground via the equipment's 3-prong power cord and/or a ground wire of 14 AWG or larger. Keep wire length to a minimum. Protectors should be installed at both ends of communication lines to ensure equipment protection at each end.

All specifications are subject to change without notice. Detailed specifications for specific versions available on request. © Copyright 2018, Zap-Tech Corporation all rights reserved.