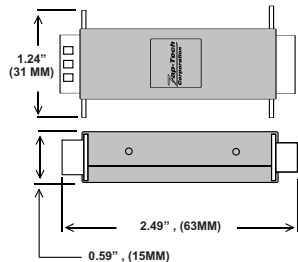


DB SERIES SURGE PROTECTORS

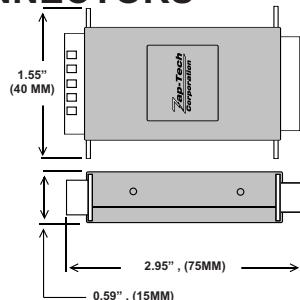
DB9 CONNECTORS



DB9 M/F INTERFACE PROTECTOR
MODEL #: DB-09-XX

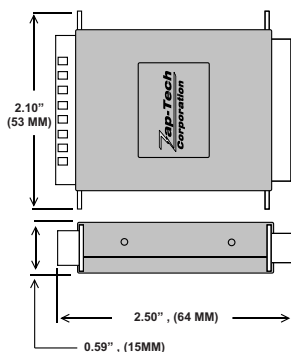
OPTIONAL GROUNDING WIRE AND DIN RAIL MOUNT AVAILABLE ON MOST MODELS

DB15 CONNECTORS



DB15 M/F INTERFACE PROTECTOR
MODEL #: DB-15-XX

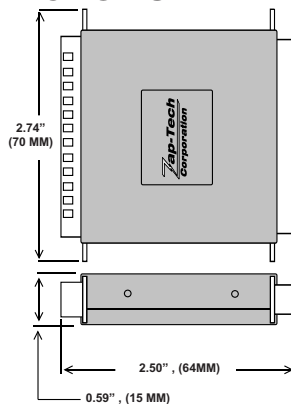
DB25 CONNECTORS



DB25 M/F INTERFACE PROTECTOR
MODEL #: DB-25-XX

OPTIONAL GROUNDING WIRE AND DIN RAIL MOUNT AVAILABLE ON MOST MODELS

DB37 CONNECTORS



DB37 M/F INTERFACE PROTECTOR
MODEL #: DB-37-XX

OPTIONAL GROUNDING WIRE AND DIN RAIL MOUNT AVAILABLE ON MOST MODELS

PART NUMBER SELECTION:

Format: DB-09-07C

DB-(connector type)-(clamp voltage)(C for DIN Clip)

Standard Clamp voltages: (07, 18, 27, 36, 60)

APPLICATION	MODEL	MAX OPERATING VOLTAGE	CLAMP VOLTAGE
RS422, RS423, RS485	DB-()-07	5.5V	7V
RS232	DB-()-18	16.0V	18V
GPS ACUTIME	40-422-250	5.5V & 33V	7V & 36V

*Custom protection is our specialty.
Custom versions are available
including mixed or special voltages,
different connectors and grounding wires.*

Contact us for details at: sales@zap-tech.com

ELECTRICAL SPECIFICATIONS

MAXIMUM REPETITIVE SELF RESET SURGE:

3500 V, 1750 A for 100 pulses using 2V source.per: EN61000-4-5 Spec.

MAXIMUM FAIL SAFE SURGE:

6000 Volts 3000 Amps for 100 pulses using 2V source.
per EN61000-4-5 Specification. Exceeds EN6100-4-5, level 4.

CLAMPING VOLTAGES:

RS422: 7.5 Volts, RS232: 18 Volts, Power supply: 36 Volts.
Common Mode - (Line to Line) and Differential Mode - (Line to Ground).

CAPACITANCE:

Line/Line: <40pF, Line/Ground: <40pF.

COMPONENT RESPONSE TIME:

Less than 10 Nanoseconds.

OPERATING ENVIRONMENT:

(-40C TO +85C) Max Continuous Power Limit: 3 Watts.

INSTALLATION:

Zap-Tech protectors should be installed in series with the incoming communication line at the port of the equipment being protected. The protector's grounding point must be connected to the chassis ground of the protected equipment.

IMPORTANT!

It is important that the protector and the chassis of the equipment to be protected are both properly grounded to a properly earthed electrical safety ground via the equipment's 3-prong power cord and/or a ground wire of 14 AWG or larger. Keep wire length to a minimum. Protectors should be installed at both ends of communication lines to ensure equipment protection at each end.

All specifications are subject to change without notice.
Detailed specifications for specific versions available on request.
© Copyright 2013, Zap-Tech Corporation all rights reserved.

Zap-Tech
Corporation

1-888-727-1951
www.zap-tech.com