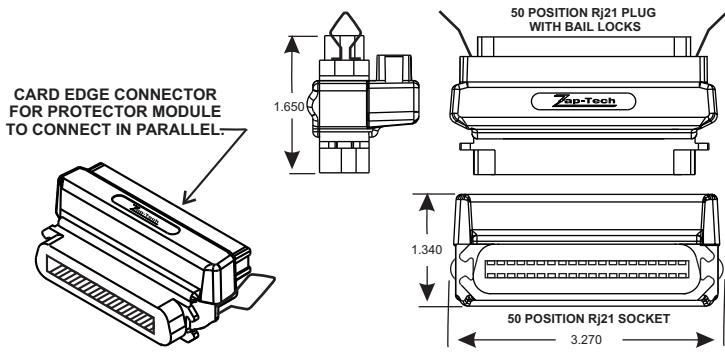


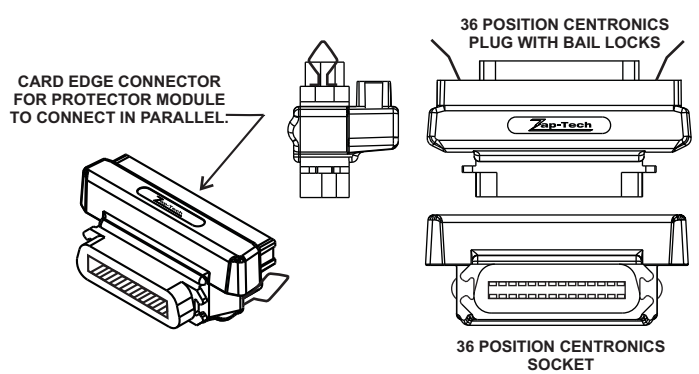
CT SERIES SURGE PROTECTORS

RJ21, 25 PAIR TELCO CONNECTORS



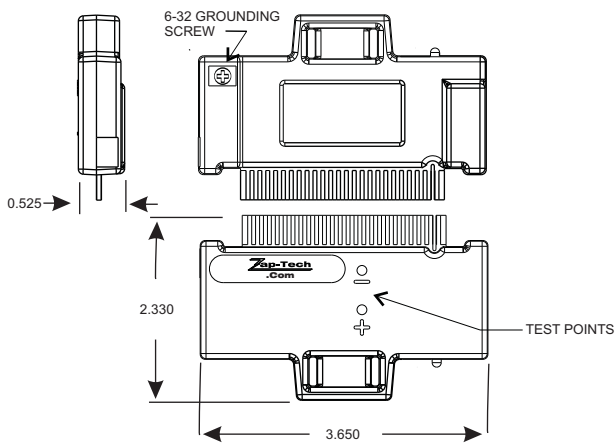
50 PIN TEE TAP INTERFACE DEVICE
MODEL 20-090-000

CENTRONICS 36 PIN TYPE CONNECTORS



36 PIN TEE TAP INTERFACE DEVICE
MODEL 20-094-000

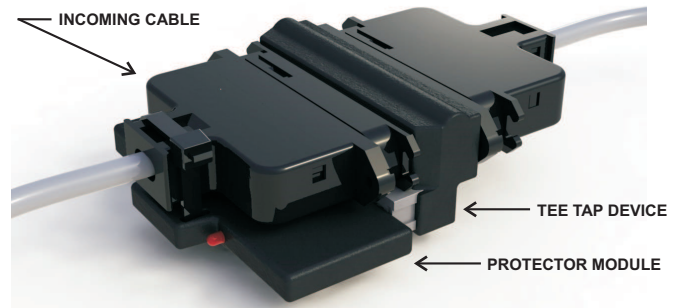
CARD EDGE PROTECTOR MODULE



CARD EDGE PROTECTOR MODEL 20-100-000

TYPICAL INSTALLATION

Designed to be installed in line between your existing cable and equipment ports. Adds 25 pairs of surge protection.



TEE TAP AND PROTECTOR MODULE INSTALLED IN LINE BETWEEN TWO RJ21 CONNECTORS. CAN ALSO BE INSTALLED DIRECTLY ON TO EQUIPMENT PORT. PROTECTOR MODULE CAN BE REMOVED AND REPLACED WITHOUT DISCONNECTION.

INFORMATION NEEDED TO ORDER A CT SERIES PROTECTOR

- 1) Connector type; RJ21, 36 pin centronics etc.
- 2) Connector pin out assignment.
- 3) System being protected; RS232, RS422, etc)
- 4) Is there sufficient fusing or overcurrent protection on the existing system being protected? If you do not know, Please specify to add additional built in overcurrent protection for your protector when ordering.
- 5) Contact us at 888-727-1951, or sales@zap-tech.com

Custom Surge protection is our specialty. Custom versions are available including mixed or special voltages, over current protection, different connectors or wiring options. Contact us for details.

ELECTRICAL SPECIFICATIONS

MAXIMUM REPETITIVE SELF RESET SURGE:
3500 V, 1750 A for 100 pulses using 2V source.per: EN61000-4-5 Spec.

MAXIMUM FAIL SAFE SURGE:
6000 Volts 3000 Amps for 100 pulses using 2V source.
per EN61000-4-5 Specification. Exceeds EN6100-4-5, level 4.

CLAMPING VOLTAGES:
RS422: 7.5 Volts, RS232: 18 Volts, Voltages from 7 to 290V are available.
Common Mode - (Line to Line) and Differential Mode - (Line to Ground).

CAPACITANCE:
Line/Line: <40pF Line/Ground: <40pF.

COMPONENT RESPONSE TIME:
Less than 10 Nanoseconds.

OPERATING ENVIRONMENT (-40C to +85C Max):
Max Continuous Current: 125mA, Power Limit: 3 Watts).

INSTALLATION:

Zap-Tech protectors should be installed in series with the incoming communication line at the port of the equipment being protected. The protector's grounding point must be connected to the chassis ground of the protected equipment.

IMPORTANT!

It is important that the protector and the chassis of the equipment to be protected are both properly grounded to a properly earthed electrical safety ground via the equipment's 3-prong power cord and/or a ground wire of 14 AWG or larger. Keep wire length to a minimum. Protectors should be installed at both ends of communication lines to ensure equipment protection at each end.

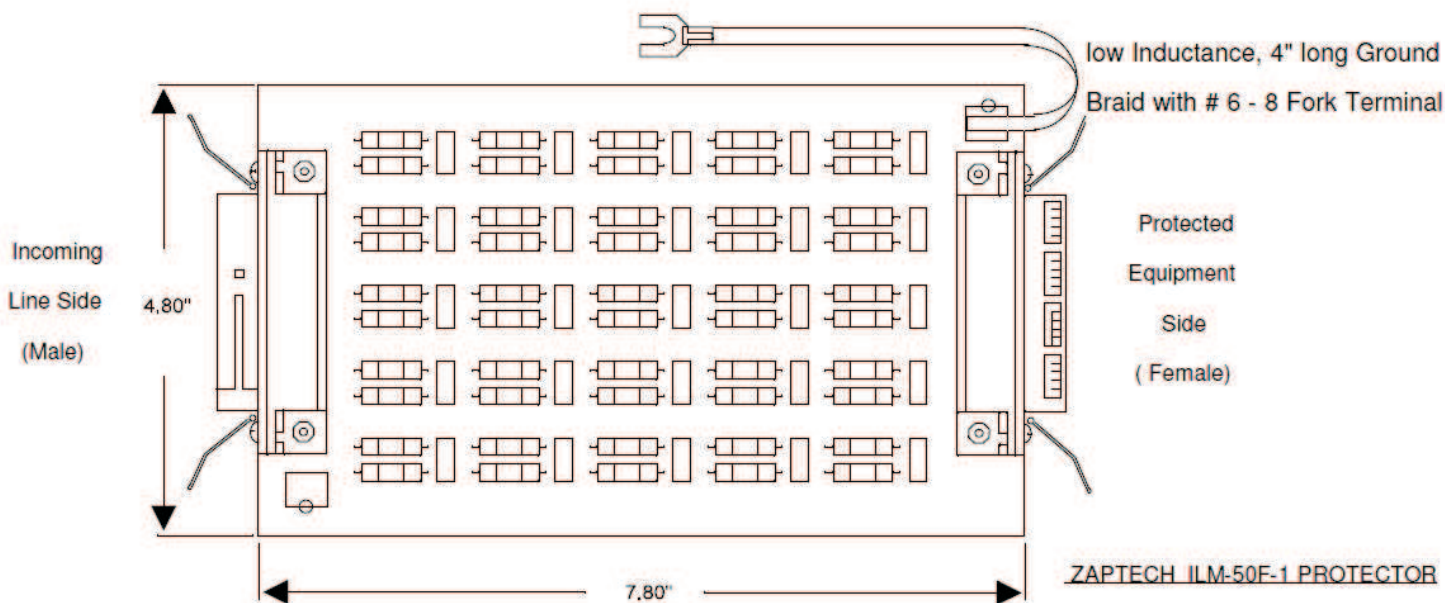
All specifications are subject to change without notice.
Detailed specifications for specific versions available on request.
© Copyright 2016, Zap-Tech Corporation all rights reserved.

Zap-Tech
Corporation

1-888-727-1951
www.zap-tech.com

ILM - 50 SERIES MECHANICAL SPECIFICATIONS:

◆ Specification Compliance: Exceeds UL specification 497A

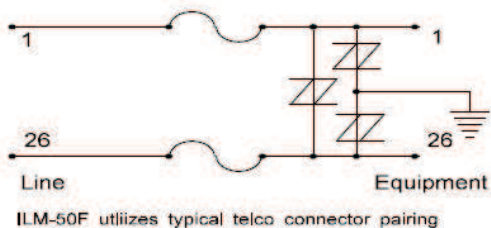


ILM-50F-1 = 25 Pair surge protector with Fuses

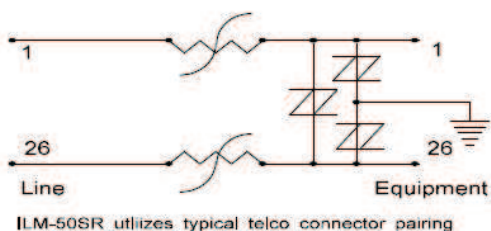
◆ PCB Material: UL approved FR4, 0.062 Thickness

ILM-50SR = 25 Pair surge protector with self resetting Poly Switches

ILM - 50 SERIES ELECTRICAL SPECIFICATIONS:



Schematic ILM - 50F-1



Schematic ILM-50SR-1

Model Number:	ILM - 50F-1	ILM - 50SR-1
Part Number:	10-010-500	10-012-500
Clamp Voltage (Nominal)	+260 Volts	±260 Volts
Maximum Stand Off Voltage:	±190 Volts	±190 Volts
Maximum Clamp Voltage:	±270 Volts	±270Volts
<i>(10 x 1000µs s.c. Waveform)</i>		
Peak Transient current:	60 Amps	50 Amps
<i>(10 x 1000µs s.c. Waveform)</i>		
Response Time:	4 Nanoseconds	4 Nanoseconds
Max operating Temperature:	-55 - 125 C	-55 - 125 C
Over Voltage Self Reset:	YES	YES
Over Current Self Reset:	NO	YES
Balanced Protection:	YES	YES