

# CX™ PROTECTOR SERIES

## **SURGE PROTECTION FOR COAXIAL VIDEO AND DATA INTERFACES**

NETWORK INTERFACES

SECURITY CAMERAS

NTSC VIDEO

CATV

SATV

DS-3 DATA

VOICE

ETHERNET

BNC

TNC



## **COMMUNICATION PORT SURGE PROTECTION**

The ZapTech CX series protection devices were specifically designed to protect communication interfaces from damage caused by lightning storms, Static Discharge, secondary effects of power surges and transient ground potential energies.

As a significant measure to prevent electrical damage to your system, surge suppression also extends the life of sensitive circuits at the component level while improving system reliability. Zap-Tech protectors are best applied as near as physically practical to sensitive electronic equipment, components and system ground references.

CX series devices are specifically configured for installation directly at the communication port on your equipment. The devices provide protection for coaxial communication interfaces including security cameras, CATV, SATV, Ethernet, DS3 and most other coax applications. Versions are available for BNC, TNC, AND F type connector interfaces.

The CX series grounding wire must be connected to earth, Ideally, Via the chassis ground of the protected equipment. It is important that the equipment chassis is properly grounded to electrical safety ground via a standard 3-prong power cord or a #12 or larger diameter grounding wire.

P.O. BOX 10996  
LAKE TAHOE, NV, USA 89448-2996  
888-727-1951 ♦ 775-588-4040 ♦ FAX: 775-588-9278  
WWW.Zap-Tech.Com

**Zap-Tech**  
Corporation

# ZAP-TECH

# HW SERIES

## Electrical Specifications

## Mechanical Specifications

### \*MAXIMUM REPETITIVE SELF RESET SURGE:

3500Volts,1750 Amps for 100 pulses using 2 Ω source.  
per: EN61000-4-5 Specification.

### \*MAXIMUM FAIL SAFE SURGE:

4000 Volts 2000 Amps for 100 pulses using 2Ω source.  
per EN61000-4-5 Specification. Exceeds EN6100-4-5, level 4.

### \*CLAMPING VOLTAGES:

Common Mode - Line to Line  
Differential Mode - Line to Ground

### \*CAPACITANCE:

Line/Line: <40pF  
Line/Ground: <40pF

### \*COMPONENT RESPONSE TIME:

Less than 10 Nanoseconds

### OPERATING TEMPERATURE:

(-40°C TO +85°C)

### PART NUMBER SELECTION:

Format:  
CX-( Specify Gender: F/F or M/F )

APPLICATION AND TYPE OF CONNECTOR	MODEL	MAX OPERATING VOLTAGE	CLAMP VOLTAGE
Video / BNC DS-3 / BNC Ethernet / BNC	CX-MF or CX-FF	5.5V	07V
CATV / ' F ' SATV / ' F ' GPS / ' F '	70-225-200	25V	250V

### \*OPERATION:

The Zap-Tech protector will repetitively protect and reset without degradation up to it's maximum repetitive self-reset surge. If it is subjected to more than it's maximum repetitive self-reset surge, the device will remain in a clamped mode indicating that it should be removed or replaced while keeping the equipment safe from subsequent surges.

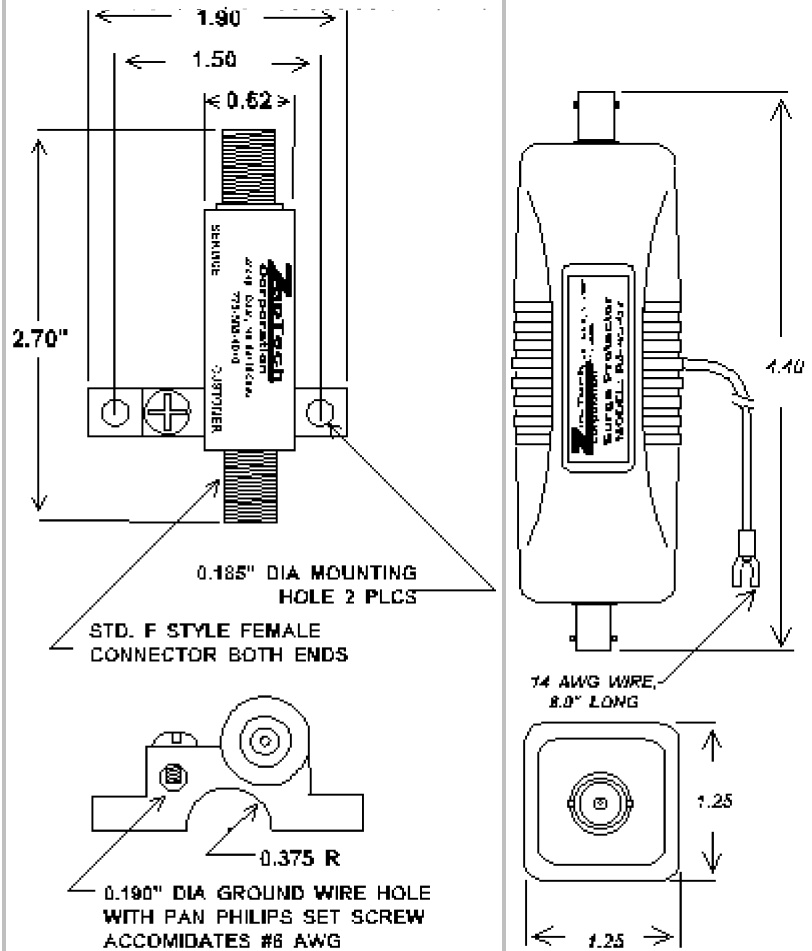
### INSTALLATION:

Zap-Tech protectors should be installed in series with the incoming communication line at the port of the equipment being protected. The protector's grounding wire must be connected to the chassis ground of the protected equipment.

### IMPORTANT!

It is important that the protector and the chassis of the equipment to be protected are both properly grounded to a properly earthed electrical safety ground via the equipment's 3-prong power cord and/or a ground wire of 14 AWG or larger. Protectors should be installed at both ends of communication lines to ensure equipment protection at each end.

\*Applies BNC Type devices only.



### 'F' SERIES

[Click here for detailed specifications](#)

### BNC SERIES

**Custom variations are available including mixed or special voltages, different connectors or impedance options.**

**Contact your supplier for details.**

**Zap-Tech Corporation**

P.O. BOX 10996  
LAKE TAHOE, NV, USA 89448

888-727-1951 ♦ 775-588-4040 ♦ Fax: 775-588-9278 [www.zap-tech.com](http://www.zap-tech.com)

All specifications are subject to change without notice.  
Detailed specifications for specific versions available on request.

© Copyright 2001 Zap-Tech Corporation all rights reserved.